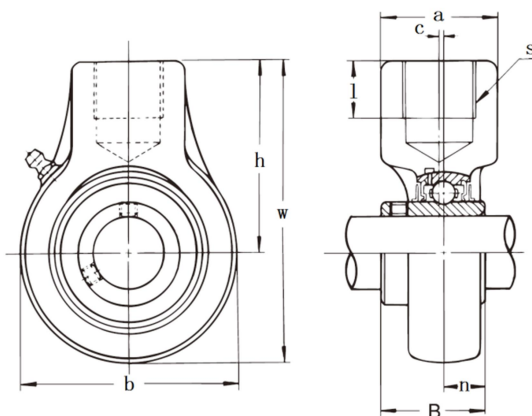


# UCHA



型號	主要規格	重點尺寸(mm)									額定荷載(kN)		重量
	mm	h	w	b	c	a	s	l	B	n	額定動荷載	額定靜荷載	kg
UCHA-201	12	64	96	64	0	40	PF 3/4	19	31	12.7	12.8	6.6	0.85
UCHA-202	15	64	96	64	0	40	PF 3/4	19	31	12.7	12.8	6.6	0.83
UCHA-203	17	64	96	64	0	40	PF 3/4	19	31	12.7	12.8	6.6	0.82
UCHA-204	20	64	96	64	0	40	PF 3/4	19	31	12.7	12.8	6.6	0.8
UCHA-205	25	64	99	70	0	40	PF 3/4	19	34.1	14.3	14	7.9	0.74
UCHA-206	30	64	104	80	0	40	PF 3/4	19	38.1	15.9	19.6	11.3	0.91
UCHA-207	35	70	116	92	0	40	PF 3/4	19	42.9	17.5	25.9	15.4	1.2
UCHA-208	40	73	121	96	2	40	PF 3/4	19	49.2	19	29.3	17.9	1.4
UCHA-209	45	82	136	108	4	48	PF 1	21	49.2	19	33	20.5	1.8
UCHA-210	50	83	140	114	5	48	PF 1	21	51.6	19	35.5	23.2	1.9
UCHA-211	55	97	160	126	8	60	PF1 1/4	28	55.6	22.2	43	29.4	2.3
UCHA-212	60	102	173	142	9	60	PF1 1/4	28	65.1	25.4	52.5	36.1	4.2
UCHA-213	65	117	194	154	9.5	70	PF1 1/2	32	65.1	25.4	57.5	40	4.8
UCHA-215	75	117	200	166	9.5	70	PF1 1/2	32	77.8	33.3	66	48.2	5.6